

Technical data sheet



Product features

Bain marie electric GN 3-1/1 controllers on shorter side

Model	SAP Code	00005483
--------------	-----------------	----------



- Drain: Yes
- Material: Stainless steel
- Protection of controls: IPX4
- Maximum device temperature [°C]: 90

SAP Code	00005483	Power electric [kW]	2.100
Net Width [mm]	1310	Loading	230 V / 1N - 50 Hz
Net Depth [mm]	750	Number of GN / EN	3
Net Height [mm]	905	GN / EN size in device	GN 1/1
Net Weight [kg]	54.00	GN device depth	200

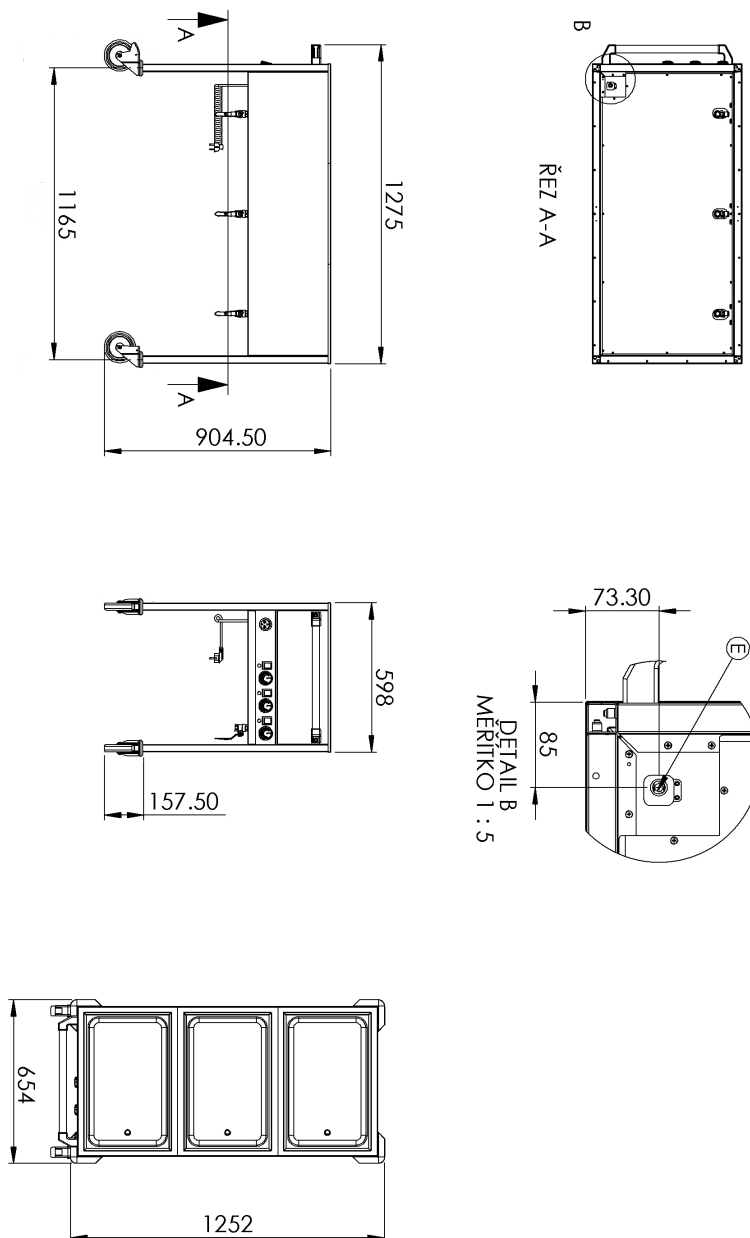
Technical data sheet

Technical drawing



Bain marie electric GN 3-1/1 controllers on shorter side

Model	SAP Code	00005483
-------	----------	----------



Technical data sheet



Product benefits

Bain marie electric GN 3-1/1 controllers on shorter side

Model

SAP Code

00005483

1

Deep-draft bathtubs

basins without sharp transitions, edges and corners

- easy maintenance
- perfect sanitation

2

Controlling each bath separately

variability of use

- possibility to keep different foods at different temperatures

3

All-stainless steel construction

harmless to health for contact with food
robustness

- perfect sanitation
- long service life

4

Drain valve under the bathtub

safer placement of the drain valve

- valve positioning prevents unintentional contact and possible scalding

Technical data sheet



Technical parameters

Bain marie electric GN 3-1/1 controllers on shorter side

Model	SAP Code	00005483
--------------	-----------------	----------

1. SAP Code:

00005483

2. Net Width [mm]:

1310

3. Net Depth [mm]:

750

4. Net Height [mm]:

905

5. Net Weight [kg]:

54.00

6. Gross Width [mm]:

750

7. Gross depth [mm]:

1310

8. Gross Height [mm]:

1010

9. Gross Weight [kg]:

55.00

10. Device type:

Electric unit

11. Construction type of device:

On wheels

12. Power electric [kW]:

2.100

13. Loading:

230 V / 1N - 50 Hz

14. Protection of controls:

IPX4

15. Exterior color of the device:

Stainless steel

16. Material:

Stainless steel

17. Maximum device temperature [°C]:

90

18. Minimum device temperature [°C]:

30

19. Adjustable feet:

No

20. Drain:

Yes

21. Number of GN / EN:

3

22. GN / EN size in device:

GN 1/1

23. GN device depth:

200